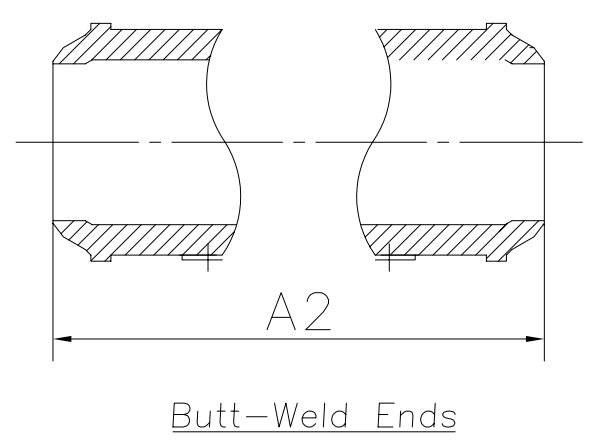


BILL OF MATERIALS				
NO.	Designation	QTY.	Material	Notes
26	Yoke Pan Bolt Nuts		ASTM A194 2HM	
25	Yoke Pan Bolts		ASTM A193 B7M	
24	Support	1	ASTM A216 WCB	
23	Gland Flange	1	ASTM A216 WCB	
22	Yoke	1	ASTM A216 WCB	
21	Retaining Nut	1	Carbon Steel	
20	Handwheel	1	Ductile Iron	
19	H.W.Lock Nut	1	Carbon Steel	
18	Stem Nut	1	AL-Bronze	
17	Lubricating Cup	1	Copper	
16	Axletree	2	Assembly	
15	Gland Nut	2	ASTM A194 2HM	
14	Gland	1	ASTM A182 F6	
13	Gland Eye Bolt	2	ASTM A193 B7M	
12	Pin	2	Carbon Steel	
11	Packing	7	Flexible Graphite	
10	Bonnet	1	ASTM A216 WCB	
9	Bonnet Flange	1	ASTM A216 WCB	
8	Gasket	1	304+Graphite	
7	Packing	1	Flexible Graphite	
6	Bonnet Nut		ASTM A194 2HM	
5	Bonnet Bolt		ASTM A193 B7M	
4	Stem	1	ASTM A182 F6a	
3	Disc	1	ASTM A216 WCB+13Cr	
2	Seat	2	ASTM A216 WCB+STL	
1	Body	1	ASTM A216 WCB	

Size	A1	A2	B	H (Open)
2	292	178	165	435
3	356	254	210	598
4	432	305	273	646
6	559	457	356	1011
8	660	660	419	1089
10	787	787	510	1289
12	838	838	559	1597
14	889	889	605	1597
16	991	990	685	1854



ENGINEERING DATA

DESIGN CODE	API 600/ANSI B16.34	TEST PRESSURES		
FACE TO FACE DIMENSIONS	ASME B16.10	BODY	153.15	Barg
ENDS FLANGES DIMENSIONS	ASME B16.5	SEAT	112.31	Barg
TESTING CODE	API 598	BACKSEAT	112.31	Barg
		AIR - SEAT	6.0	Barg

REV	DATE	DESCRIPTION	BY	CHK	APP	SCALE:		
						DRAWN	DM	DATE
						CHECKED	SMN	DATE
						APPROVED	AW	DATE

DRAWING TITLE:
API CAST STEEL CLASS 600
PRESSURE-SEAL BONNET, RF, GLOBE VALVES

CLIENT:

VENDOR PO REF:

EVC REF:

CAD. No. DRAWING NUMBER: 120049 REV

AREA No. 1 FACILITY TYPE SEQ. No. SHT. No.